

# News crosses the world

Our story on Dr Jan Pajak (right) and his UFO theories was reproduced in an American based UFO newsclipping service and was even translated into Italian for the *UFO Express* magazine.

The story was given even wider readership in New Zealand by being reprinted in

the May issue of the *NZ Skeptic* magazine.

For those who may have missed the article, Dr Jan Pajak of Dunedin was back in Christchurch during the August holidays and we took the opportunity to speak to him again.



Whether you believe in them or not, the idea of extra-terrestrial visits make fascinating reading.

Reporter SUE MARSH brings you the "low-down" on some high-flying craft as determined through the ideas of one UFO expert, Dr Jan Pajak.

Obviously others were as intrigued as we were over the possibility that UFO's may have landed in Hagley Park.

New Zealand should be cashing in on the world wide interest in the mysterious circles which are popping up in the fields of South England, according to our own UFO expert, Dr Jan Pajak of Dunedin.

While sightseers and researchers have flocked to the British crop-fields to view the intriguing phenomenon New Zealand could well be sitting on its own tourist treasure.

"There has been a lot

of publicity about the new circles found in England but many people do not realise that there are a lot of circles in New Zealand too," said Dr Pajak when he visited Christchurch during the August holidays.

"Instead of hiding these facts, the New Zealand tourism industry should be able to use these landing sites as a tourist attraction. If the sites were publicised it would also attract scientific investigations."

Although some of the latest British circles have been impressive with complex shapes, Dr Pajak believes NZ can offer better.

"In England, 'they' feel threatened by the density of the population and only land for a few minutes and then go. In NZ because we have less population, they will sometimes land for a few hours at a time - leaving clearer and more permanent marks

on the land," he said.

"Some of our oldest rings date back 60-100 years which means we can actually look at the history of landings. In England the marks are gone as soon as the farmer ploughs his field."

Some areas of the country seem to attract greater UFO activity. These places for some reason attract numerous landings year after year while others, have none at all.

Dr Pajak believes the visitors are scientists who return to the same area time after time to investigate whatever it was that attracted them in the first place.

Weka Pass is the area nearest to Christchurch which has proved a popular landing site for a number of years.

While in Christchurch Dr Pajak was planning to make a special trip to the Weka Pass to look for new landing sites and check up on old ones.

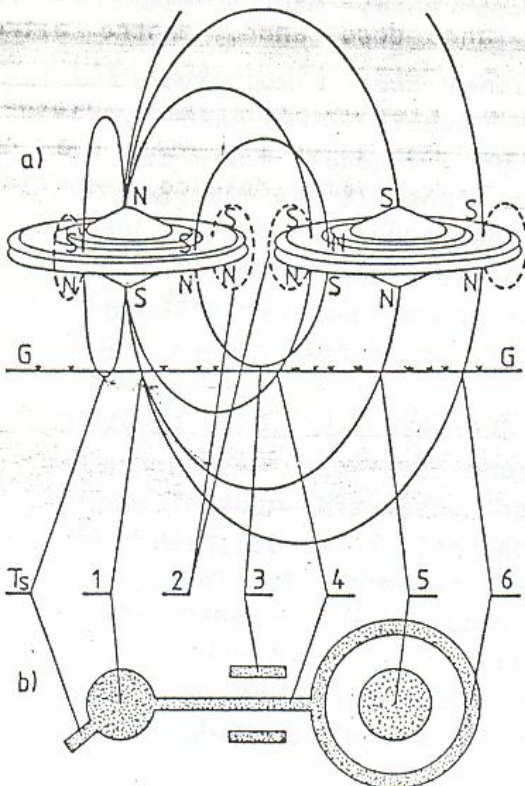
Apparently between April-July is the usual time for new landings in the area.

Dr Pajak has his own replies to all those sceptics who prefer to believe in the more popular belief that the landing sites are in fact caused by mushroom growth.

"Surely if the rings were caused by mushrooms they would grow bigger each year. One of the first things I did when I began my investigations was to place wooden pegs on the edge of the rings. Over a number of years I have returned to check the sites and they are still exactly the same size."

If the mushroom theory is to be believed it is logical to think that the rings could be any possible size.

Dr Pajak also points out that landings in NZ are not always rings and there are in fact some that are shaped like a four leaf clover.

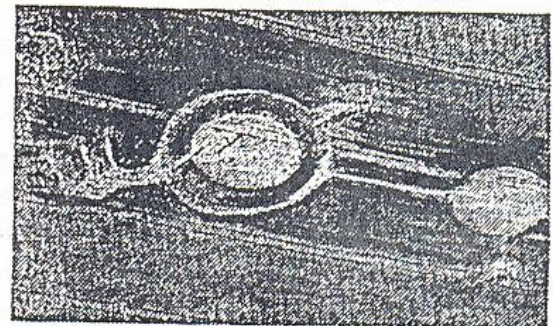


## One explanation

Explanations ranging from atmospheric disturbance to earthworms have been touted since the appearance of these strange circles in a cornfield in Southern England.

Dr Pajak has his own ideas and believes the circles are an example of a landing site produced by a linear cluster of UFO's, comprising two K6 type vehicles.

The left of the photo shows a site produced by a stable unit and the right shows a site produced by an unstable unit. The line that joins both these sites together was produced by a holding circuit.



Both UFO's had their compensating circuits switched on, thus producing additional side marks that look and act like tail propellers in helicopters," claims Dr Pajak.